

Complete Range of Fire Protection



**WHEN FIRE DISOBEYS**

**LIFEGUARD**  
FIRE PROTECTION EQUIPMENTS

## About us

Our **MISSION** is to expand and continually improve utilizing quality practices and employee involvement to manufacture Fire Fighting products.

We maintain a superior level of integrity in interactions with business partners and associates. We appreciate our achieved success and we conduct our business as model corporate citizens.

Our **VISION** is simply to be "THE COUNTRY'S PREMIER FIRE FIGHTING EQUIPMENT MANUFACTURER COMPANY."

Being the premier company does not mean being the biggest but it does mean being the best in terms of consumer value, customer service, employee talent, and consistent & predictable growth.

We are one of the leading manufacturers of ISI marked Fire Fighting Equipments in the Indian market under the brand name of **LIFEGUARD** and we have again proved this by getting the complete range of IS 16018:2012 wheeled fire extinguisher license in India. We have always focused on new product development and product performance improvement, researches and produce a series of fire fighting products with excellent properties and reliable quality. Our latest achievement includes development of Fire Detection & Alarm System, Kitchen Hood Fire Fighting System, Kitchen Fire Extinguisher, Weight Surveillance Module, Emergency Light, Egress Edgelit Light and Signages.

We got our first BIS license in 1998, and since then, we have been constantly putting our efforts to improve, maintain, and uphold our fire fighting equipment range. Talking about our experience, its like the third generation getting introduced to the Fire Safety industry. Though our manufacturing set up goes just two decades back but, we have served the fire department and fire & safety industry, for over 3 decades. Since then, we have been able to team up well qualified and experienced people, which mark the existence and growth of any organisation. We have a network of well settled and flourished dealers all over the country which helps us to market our product to the remote areas and has always helped us to have goodwill in the market.

Our commitment, support and services have always allowed us to retain our prestigious clients, dealers and our suppliers from the very beginning.

**What we say is Commitment**

**What we think is Quality**

**What we produce is **LIFEGUARD****

### Approvals:

- |                  |                  |                 |              |
|------------------|------------------|-----------------|--------------|
| 1. BIS Approvals | 4. DGQA Approval | 7. LIC & BANKS  | 10. CIDCO    |
| 2. CE Approval   | 5. CPWD Approval | 8. NBCC Limited | 11. DDA      |
| 3. EIL Approval  | 6. IRS Approval  | 9. ERTL         | 12. Railways |

## Company offers

- Powder Portable/Wheeled Fire Extinguisher
- Carbon Dioxide Portable/Wheeled Fire Extinguisher
- Water/Foam Portable/Wheeled Fire Extinguisher
- Clean Agent Fire Extinguisher
- Landing Valves
- Fire Hose Delivery Coupling
- Branch Pipe & Nozzle
- First-aid Hose Reel
- Fire Hose
- Self Triggered Stand Alone Type Fire Extinguisher
- Kitchen Fire Extinguisher
- Mobile Foam Unit
- Water/Foam Monitor
- System Integrations :
  - FM 200 / Novec / Co<sub>2</sub> Suppression System
  - Kitchen Hood Fire Extinguishing System
  - Tube based Suppression System
  - Fire Detection & Alarm System



**Powder Portable Fire Extinguisher  
(Stored Pressure/Gas Cartridge Type)**

IS-15683



CM/L-8633079



**LG-224**  
(3A, 21B, C)

**LG-226**  
(3A, 34B, C)

**LG-229**  
(4A, 55B, C)



**LG-121**  
(1A, 8B, C)

**LG-122**  
(2A, 13B, C)



**LG-124**  
(3A, 21B, C)



**LG-126**  
(3A, 34B, C)



**LG-129**  
(4A, 55B, C)

**Technical Specification**

MODEL	LG-121	LG-122	LG-124/224	LG-126/226	LG-129/229
Capacity (Kg)	1	2	4	6	9
Anti-Corrosive Inhibitor	Epoxy Polyester Powder Coating	Epoxy Polyester Powder Coating	Epoxy Polyester Powder Coating	Epoxy Polyester Powder Coating	Epoxy Polyester Powder Coating
Confirming IS Code	15683	15683	15683	15683	15683
Type of Extinguisher	Constant Pressure	Constant Pressure	Constant Pressure/Gas Cartridge	Constant Pressure/Gas Cartridge	Constant Pressure/Gas Cartridge
Type of Extinguishing Media	Dry Powder IS 14609/IS 4308	Dry Powder IS 14609/IS 4308	Dry Powder IS 14609/IS 4308	Dry Powder IS 14609/IS 4308	Dry Powder IS 14609/IS 4308
Expellant	Pressurized with N <sub>2</sub> gas	Pressurized with N <sub>2</sub> gas	Pressurized with N <sub>2</sub> gas/ 90gm/120gm Gas Cartridge	Pressurized with N <sub>2</sub> gas/ 120gm Gas Cartridge	Pressurized with N <sub>2</sub> gas/ 200gm Gas Cartridge
Minimum Effective Discharge (%)	85	85	85	85	85
Minimum Jet Length (mtrs.)	More than 2 mtr.	More than 2 mtr.	More than 2 mtr.	More than 2 mtr.	More than 2 mtr.
Discharge Time (Sec.)	More than 8 sec.	More than 13 Sec.	More than 13 Sec.	More than 13 Sec.	More than 13 Sec.
Hydraulic Test Pressure (kgf/cm <sup>2</sup> )	35	35	35	35	35
Operating Position	Upright	Upright	Upright	Upright	Upright
Charged Pressure (kgf/cm <sup>2</sup> )	15	15	15	15	15
Operating Temperature Range(°C)	(-)10 to (+)55	(-)10 to (+)55	(-)10 to (+)55	(-)10 to (+)55	(-)10 to (+)55
Operating Valve	Squeeze Grip Type with Nozzle	Squeeze Grip Type with Nozzle	Squeeze Grip Type with Discharge hose and Nozzle	Squeeze Grip Type with Discharge hose and Nozzle	Squeeze Grip Type with Discharge hose and Nozzle
Fire Rating	1A, 8B, C	2A, 13B, C	3A, 21B, C	3A, 34B, C	4A, 55B, C

**Also Available in Stainless Steel Body**  
**Also available in MAP 90% & UL Listed**

**Application :-**

- Class A Fire :** Wood, Textiles, Paper, Plastic, Cloths, Cotton Mill, Jute Mill etc.
- Class B Fire :** Petroleum, Oil, Diesel, Paint, Varnish, Solvent, Aviation Fuel, Flammable and Volatile Liquids etc..
- Class C Fire :** Flammable Gasses, Live Electrical Equipments, Industrial Gases, Electrical Installation etc..

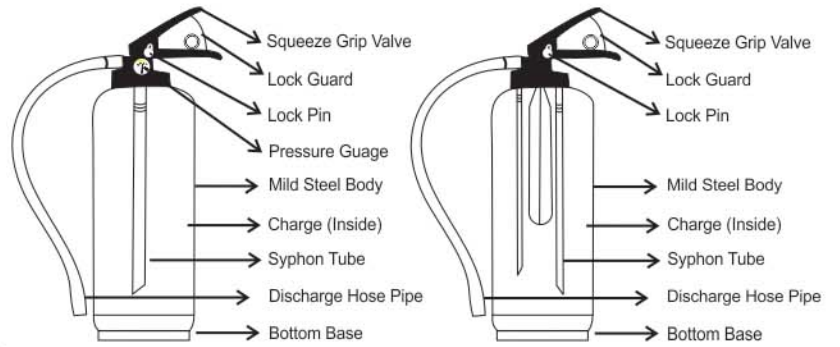
**Note :** Fire Rating for Class A is not applicable for Fire Extinguishers with Dry Powder IS 4308.

**WATER/FOAM**  
**Portable Fire Extinguisher**  
**(Stored Pressure/Gas Cartridge Type)**

IS-15683



CM/L-8633079



**LG-106/ LG-116**  
**(2A/ 2A, 21B)**

**LG-209/ LG-219**  
**(3A/ 3A, 55B)**

**LG-216/ LG-206**  
**(2A, 21B/ 2A)**

**LG-119/ LG-109**  
**(3A, 55B/ 3A)**

**Technical Specification**

MODEL	WATER		FOAM	
	LG-106/206	LG-109/209	LG-116/216	LG-119/219
Capacity (Ltr.)	6	9	6	9
Anti-Corrosive Inhibitor	Epoxy Polyester Powder Coating	Epoxy Polyester Powder Coating	Epoxy Polyester Powder Coating	Epoxy Polyester Powder Coating
Confirming IS Code	15683	15683	15683	15683
Type of Extinguisher	Constant Pressure/Gas Cartridge	Constant Pressure/Gas Cartridge	Constant Pressure/Gas Cartridge	Constant Pressure/Gas Cartridge
Type of Extinguishing Media	Soft Water	Soft Water	Water & AFFF IS 4989	Water & AFFF IS 4989
Expellant	Pressurized with N <sub>2</sub> gas/ 60gm Gas Cartridge	Pressurized with N <sub>2</sub> gas/ 90gm/120gm Gas Cartridge	Pressurized with N <sub>2</sub> gas/ 60gm Gas Cartridge	Pressurized with N <sub>2</sub> gas/ 90gm/120gm Gas Cartridge
Minimum Effective Discharge (%)	95	95	95	95
Minimum Jet Length (mtrs.)	More than 2 mtr.	More than 2 mtr.	More than 2 mtr.	More than 2 mtr.
Discharge Time (Sec.)	More than 13 sec.	More than 13 Sec.	More than 13 Sec.	More than 13 Sec.
Hydraulic Test Pressure (kgf/cm <sup>2</sup> )	35	35	35	35
Operating Position	Upright	Upright	Upright	Upright
Charged Pressure (kgf/cm <sup>2</sup> )	15	15	15	15
Operating Temperature Range(°C)	0 to (+)55	0 to (+)55	0 to (+)55	0 to (+)55
Operating Valve	Squeeze Grip Type with Discharge hose and Nozzle	Squeeze Grip Type with Discharge hose and Nozzle	Squeeze Grip Type with Discharge hose and Nozzle	Squeeze Grip Type with Discharge hose and Nozzle
Fire Rating	2A	3A	2A, 21B	3A, 55B

**Also Available in Stainless Steel Body**

**Application :-**

**Class A Fire :** Wood, Textiles, Paper, Plastic, Cloths, Cotton Mill, Jute Mill etc.

**Class B Fire :** Petroleum, Oil, Diesel, Paint, Varnish, Solvent, Aviation Fuel, Flammable and Volatile Liquids etc..

**Caution :** Do not use on Electrical Fire.

Clean Agent Fire Extinguisher



IS-15683  
CM/L-8633079

**LG-142**  
(1A, 8B, C)

**LG-144**  
(2A, 13B, C)

**LG-146**  
(3A, 21B, C)

Technical Specification

MODEL	LG-142	LG-144	LG-146
Capacity (Kg)	2	4	6
Anti-Corrosive Inhibitor	Epoxy Polyester Powder Coating	Epoxy Polyester Powder Coating	Epoxy Polyester Powder Coating
Confirming IS Code	15683	15683	15683
Type of Extinguisher	Constant Pressure	Constant Pressure	Constant Pressure
Type of Extinguishing Media	HFC 236 fa	HFC 236 fa	HFC 236 fa
Expellant	Pressurized with N <sub>2</sub> gas	Pressurized with N <sub>2</sub> gas	Pressurized with N <sub>2</sub> gas
Minimum Effective Discharge (%)	95	95	95
Minimum Jet Length (mtrs.)	More than 2 mtr.	More than 2 mtr.	More than 2 mtr.
Discharge Time (Sec.)	More than 13 Sec.	More than 13 Sec.	More than 13 Sec.
Hydraulic Test Pressure (kgf/cm <sup>2</sup> )	35	35	35
Operating Position	Upright	Upright	Upright
Charged Pressure (kgf/cm <sup>2</sup> )	18	18	18
Operating Temperature Range(°C)	0 to (+)55	0 to (+)55	0 to (+)55
Operating Valve	Squeeze Grip Type with Nozzle	Squeeze Grip Type with Discharge hose and Nozzle	Squeeze Grip Type with Discharge hose and Nozzle
Fire Rating	1A, 8B, C	2A, 13B, C	3A, 21B, C

Also Available in Stainless Steel Body

The extinguisher agent in **LIFEGUARD** Clean Agent Fire Extinguisher is HFC 236 fa, HEXAFLUOROPROPANE which is electrically non conductive, non- corrosive, environmental friendly and free from residue & hence is a best replacement of HALON 1211.

Fire Extinguisher agent stored in **LIFEGUARD** Clean Agent Fire Extinguisher is in liquid form & when comes in contact with air turns in to gas form. It is effective on class A, B & C fires & it.

**AN EXTINGUISHER THAT DOES NOT LEAVE ANY TRAIL AFTER PERFORMING ITS DUTY**

## Kitchen Fire Extinguisher



**Class K Fires** are fires that involve cooking oils, grease or animal fat and can be extinguished using wet chemical, the typical agent found in kitchen fire extinguishers.

### Features

- Simple operation and maintenance
- Wide angle, soft discharge spray pattern
- Natural polished stainless steel body
- Easily rechargeable
- Specially designed nozzle ensuring user's safety



### Technical Specification

MODEL	LG-154	LG-156	LG-159
Capacity	4 Ltr	6 Ltr	9 Ltr
Working Temperature	+5°C to +55°C	+5°C to +55°C	+5°C to +55°C
Cylinder Testing Pressure	35 bar	35 bar	35 bar
Service Pressure	12 bar	12 bar	12 bar
Filling Tolerance	0,(-)5% by volume	0,(-)5% by volume	0,(-)5% by volume
Min. Effective Discharge Time	13 Seconds (Minimum)	13 Seconds (Minimum)	13 Seconds (Minimum)
Charge	Wet Chemical	Wet Chemical	Wet Chemical
Propellant	Nitrogen	Nitrogen	Nitrogen
Suitable Class of Fire	Class A, Class K (Vegetable Oil, Animal Fat, Cooking Oil & Grease)		

Yet another revolutionary product added to the range of LIFEGUARD providing complete solution for fire fighting, provides solution for extinguishing Kitchen fire.

## 'D' Class Powder Portable Fire Extinguisher

### Technical Specification

MODEL	LG-126D	LG-129D
Capacity	6 Kg.	9 Kg.
Working Temperature	+5°C to +55°C	+5°C to +55°C
Cylinder Testing Pressure	35 bar	35 bar
Service Pressure	12 bar	12 bar
Filling Tolerance	0,(-)5% by volume	0,(-)5% by volume
Min. Effective Discharge Time	13 Seconds (Minimum)	13 Seconds (Minimum)
Charge	Special D Class Powder	Special D Class Powder
Propellant	Nitrogen	Nitrogen

Specially Designed Applicator Nozzle to extinguish metal fire from safe distance.

D type fire extinguishers contains blended sodium chloride based dry powder heat from fire causes it to cake and form a crust excluding air and dissipating heat from burning metal.





Controlled Discharge  
for Wheeled Fire Extinguisher

**Carbon Di-oxide Portable &  
Wheeled Fire Extinguisher**



**Technical Specification**

MODEL	PORTABLE			TROLLEY MOUNTED		
	LG-132	LG-133	LG-134	LG-336	LG-339	LG-3322
Conforming IS Specn.	15683	15683	15683	16018	16018	16018
Capacity (Kg)	2	3	4.5	6.5	9	22.5
Filling Ratio	0.667	0.667	0.667	0.667	0.667	0.667
Type of Extinguisher	CO <sub>2</sub> Type	CO <sub>2</sub> Type	CO <sub>2</sub> Type	CO <sub>2</sub> Type	CO <sub>2</sub> Type	CO <sub>2</sub> Type
Type of Extinguishing Media	CO <sub>2</sub> Gas	CO <sub>2</sub> Gas	CO <sub>2</sub> Gas	CO <sub>2</sub> Gas	CO <sub>2</sub> Gas	CO <sub>2</sub> Gas
Expellant	Self	Self	Self	Self	Self	Self
Min. Effective Discharge (%)	95	95	95	95	95	95
Min. Discharge Time (Sec.)	More than 8	More than 8	More than 8	More than 15	More than 15	More than 15
Min. Throw (mtr.)	1	1	2	-	-	-
Operating Position	Upright	Upright	Upright	Upright	Upright	Upright
Operating Valve (IS 3224)	Wheel / Squeeze Grip Type	Wheel / Squeeze Grip Type	Wheel / Squeeze Grip Type	Wheel Type	Wheel Type	Wheel Type
Operating Temperature Range (°C)	(-)30 to (+)55	(-)30 to (+)55	(-)30 to (+)55	(-)5 to (+)55	(-)5 to (+)55	(-)5 to (+)55
Fire Rating	8B, C	13B, C	21B, C	55B	70B	89B

**Application :-**

Also Available in Light Weight Aluminium Body for Portable Extinguishers

**Class B Fire :** Petroleum, Oil, Diesel, Paint, Varnish, Solvent, Aviation Fuel, Flammable and volatile liquids etc.

**Class C Fire :** Flammable Gases, Live electrical Equipments, Industrial Gases, Electrical Installation and Server Room etc.

Also available in 45 kgs as per IS:16018 standard



**CO<sub>2</sub> Gas Cartridge for Fire Extinguishers**

MODEL	LG-2506	LG-2512	LG-2520	LG-2530
Capacity (in gms)	60	120	200	300
IS Specification No.	4947	4947	4947	4947
Complete Wt Empty (in gms) Approx.	530	810	980	1240
Complete Wt. Charged (in gms)	590	930	1180	1540
Working Pressure at 27±2°C (Kgf/cm <sup>2</sup> )	140	140	140	140
Hydraulic Test Pressure (kgf/cm <sup>2</sup> )	250	250	250	250
Dia of Pipe (in mm)	45	51	51	51
Overall Height (in mm)	151	181	245	350



**Wheeled Water/Foam  
Fire Extinguisher**

IS-16018



CM/L-8765605



Water Controlled Discharge



Foam Controlled Discharge



LG-1045



LG-1145



LG-2145



LG-3145

**Technical Specification**

MODEL	WATER			FOAM		
	LG-1045	LG-2045	LG-3045	LG-1145	LG-2145	LG-3145
Conforming IS Specn.	16018	16018	16018	16018	16018	16018
Capacity (Ltr.)	45	45	45	45	45	45
Type of Fire	A Class	A Class	A Class	A & B Class	A & B Class	A & B Class
Type of Extinguisher	Water Type	Water Type	Water Type	Mechanical Foam Type	Mechanical Foam Type	Mechanical Foam Type
Type of Extinguishing Media	Soft Water	Soft Water	Soft Water	Water & AFFF (3 Ltr. of 6% concentrate)	Water & AFFF (3 Ltr. of 6% concentrate)	Water & AFFF (3 Ltr. of 6% concentrate)
Expellant	N <sub>2</sub> Gas Pressure	Internal CO <sub>2</sub> Gas Cartridge (300gm(IS 4947))	External CO <sub>2</sub> Gas Cartridge 2 Kg	N <sub>2</sub> Gas Pressure	Internal CO <sub>2</sub> Gas Cartridge (300gm(IS 4947))	External CO <sub>2</sub> Gas Cartridge 2 Kg
Min. Effective Discharge (%)	90	90	90	90	90	90
Min. Jet Length (mtrs.)	6	6	6	6	6	6
Discharge Time (Sec.)	More than 30	More than 30	More than 30	More than 30	More than 30	More than 30
Hydraulic Test Pressure (kgf/cm <sup>2</sup> )	30	30	30	30	30	30
Operating Position	Upright	Upright	Upright	Upright	Upright	Upright
Operating Temperature Range (°C)	(+)5 to (+)55	(+)5 to (+)55	(+)5 to (+)55	(+)5 to (+)55	(+)5 to (+)55	(+)5 to (+)55
Fire Rating	6A	6A	6A	6A, 144B	6A, 144B	6A, 144B

Also available in UL Listed AFFF Chemical

Water/Foam Wheeled Extinguishers also Available in 20 Litres, 60 Litres, 125 Litres

**Application :-**

**Class A Fire :** Wood, Textiles, Paper, Plastic, Cloths, Cotton Mill, Jute Mill etc.

**Class B Fire :** Petroleum, Oil, Diesel, Paint, Varnish, Solvent, Aviation Fuel, Flammable and volatile liquids etc.

**Caution :** Do not use on Electrical Fire / Installation





Controlled Discharge

## Wheeled Powder Fire Extinguisher



### Technical Specification

MODEL	LG-1225	LG-2225	LG-3225	LG-1250	LG-3250	LG-3275
Conforming IS Specn.	16018	16018	16018	16018	16018	16018
Capacity (Ltr.)	25	25	25	50	50	75
Type of Fire	BC / ABC	BC/ABC	BC/ABC	BC / ABC	BC / ABC	BC / ABC
Type of Extinguisher	Dry Powder Type	Dry Powder Type	Dry Powder Type	Dry Powder Type	Dry Powder Type	Dry Powder Type
Type of Extinguishing Media	Dry Chemical Powder	Dry Chemical Powder	Dry Chemical Powder	Dry Chemical Powder	Dry Chemical Powder	Dry Chemical Powder
Expellant	N <sub>2</sub> Gas Pressure	Internal CO <sub>2</sub> Gas Cartridge (300gm (IS 4947))	External CO <sub>2</sub> Gas Cartridge 2Kg	N <sub>2</sub> Gas Pressure	External CO <sub>2</sub> Gas Cartridge 2 Kg	External CO <sub>2</sub> Gas Cartridge 2 Kg
Min. Effective Discharge (%)	85	85	85	85	85	85
Min. Jet Length (mtrs.)	6	6	6	6	6	6
Discharge Time (Sec.)	More than 30	More than 30	More than 30	More than 30	More than 30	More than 30
Hydraulic Test Pressure (kgf/cm <sup>2</sup> )	30	30	30	30	30	30
Operating Position	Upright	Upright	Upright	Upright	Upright	Upright
Operating Temperature Range (°C)	(-)5 to (+)55	(-)5 to (+)55	(-)5 to (+)55	(-)5 to (+)55	(-)5 to (+)55	(-)5 to (+)55
Fire Rating	6A, 144B	6A, 144B	6A, 144B	6A, 144B	6A, 144B	6A, 144B

Also available in UL Listed Powder

Available capacities may be customized

#### Application :-

**Class A Fire** : Wood, Textiles, Paper, Plastic, Cloths, Cotton Mill, Jute Mill etc.

**Class B Fire** : Petroleum, Oil, Diesel, Paint, Varnish, Solvent, Aviation Fuel, Flammable and volatile liquids etc.

**Class C Fire** : Flammable Gases, Live Electrical Equipments, Industrial Gases, Electrical Installation, Power Grid etc..

## First-Aid Hose Reel

IS-884  
  
CM/L-3202027



LG-421



Shut-off Nozzle  
LG-421A



Thermoplastic Hose Pipe  
LG-421B

### Technical Specifications

**Type :** Swinging 180° Wall Mounting  
**Size :** Inlet 20mm (¾" BSP Thread Size)  
**Conforming Specification :** IS 884

### Material of Construction :

- Hub Sides & Wall Bracket - M.S. Sheet of IS:513
- Swivel Joint - LTB-2 of IS:318
- Pipe with Fitting - Steel of IS:1239 Part I
- Branch Pipe with Nozzle - IS:8090
- Hose Reel Tubing - Thermoplastic Hose (IS:12585)  
Rubber Hose (IS:444)

### Performance Test

- Hydrostatic Test : Tested at 21 Kgf/cm<sup>2</sup>
- Range & Water Flow rate test at 7 Kgf/cm<sup>2</sup>
  - (A) Discharge : 24LPM
  - (B) Range (Jet Length) : 6mtr(min)

## Compact Type Hose Reel



LG-421D

### Specifications

**Size :** Inlet 20mm (¾" BSP Thread Size)

### Performance Test

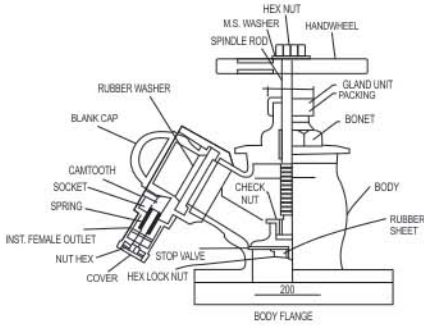
- Hydrostatic Test : Tested at 21 Kgf/cm<sup>2</sup>
- Range & Water Flow rate test at 7 Kgf/cm<sup>2</sup>
  - (A) Discharge : 24LPM
  - (B) Range (Jet Length) : 6mtr(min)

### Features

- Corrosion Free
- Powder Coated
- Light Weight
- IS:12585 Hose Reel Pipe with Bursting Pressure 14kg/cm<sup>2</sup>
- Hydraulically clamped CE Marked Nozzle

## Landing Valve (Type-A)

IS-5290  
  
CM/L-3201227



Gun Metal  
LG-401

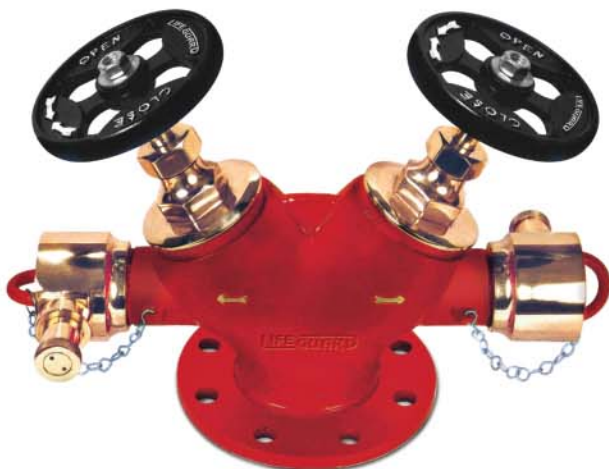


Stainless Steel  
LG-402

Type of Material	Gun Metal	Stainless Steel
Model No.	LG-401/LG-406	LG-402/LG-407
Flow (LPM)	900/1800	900/1800
Water Tightness Pressure	14 Kg/cm <sup>2</sup>	14 Kg/cm <sup>2</sup>
Hydrostatic Pressure	21 Kg/cm <sup>2</sup>	21 Kg/cm <sup>2</sup>
Inlet Diameter	75mm / 100mm	75mm / 100mm
Outlet	63mm	63mm

## Landing Valve (Type-B)

IS-5290  
  
CM/L-3201227



Gun Metal  
LG-406



Stainless Steel  
LG-407

## Fire Hose Delivery Coupling

IS-903  
  
CM/L-3201328



Gun Metal  
LG-416



Stainless Steel  
LG-417



Aluminum  
LG-418

Type of Material	Gun Metal	Stainless Steel	Aluminum
Model No.	LG-416	LG-417	LG-418
Size	63mm	63mm	63mm
Hydrostatic Pressure	21 kgf/cm <sup>2</sup>	21 kgf/cm <sup>2</sup>	21 kgf/cm <sup>2</sup>

## Branch Pipe & Nozzle

IS-903  
  
CM/L-3201328



Gun Metal  
LG-411



Stainless Steel  
LG-412



Aluminum  
LG-413

Type of Material	Gun Metal	Stainless Steel	Aluminum
Model No.	LG-411	LG-412	LG-413
Size	63mm	63mm	63mm
Nozzle Size	12mm / 15mm	12mm / 15mm	12mm / 15mm
Hydrostatic Pressure	21kgf/cm <sup>2</sup>	21kgf/cm <sup>2</sup>	21kgf/cm <sup>2</sup>

## Mobile Foam Unit



LG-527

### TECHNICAL DETAILS

- Working pressure : 7kgf/cm<sup>2</sup> to 10kgf/cm<sup>2</sup>
- Max allowable back pressure : 65% of inlet pressure.
- Hydraulic test pressure : 25kgf/cm<sup>2</sup> for 5 minutes.
- Inductor : 3% or 6% fixed type
- Inlet / Outlet : Optional : Variable Type 63mm instantaneous Male GM/SS Coupling
- Dip Tube : SS 304
- Pickup Tube : PVC Braided Flexible Hose

Available in SS, MS & FRP

It is a self contained Mobile Foam Unit for rapid deployment of foam extinguishing agent to fire in chemical spills where water (in most cases) proves ineffective in quenching hydro carbon liquid based fires in petroleum, chemical and other similar industries. This compact ready for action equipment consist of foam tank inductor, branch pipe and fire hoses ready to plugin to a suitable water supply.

## Fire Hose



LG-422A



LG-422B



LG-422H

### Technical Specification

Type of Material	R.R.L. Hose Type A	Synthetic Hose Type B	C.P. Hose
MODEL No.	LG-422A	LG-422B	LG-422H
Inside (inches)	2.5	2.5	2.5
Dia (mm)	63	63	63
Bursting Pressure (kgf/cm <sup>2</sup> )	21.4	25	21.4
Proof Pressure (kgf/cm <sup>2</sup> )	35.7	42	35.7

(Also available UL Listed Fire Hose)

**Water / Foam Monitor**



**LG-522**  
Aqua Foam Nozzle



**LG-504** FB-10X



**LG-505** FB-5X



**LG-526 0063**



**LG-526 1100**



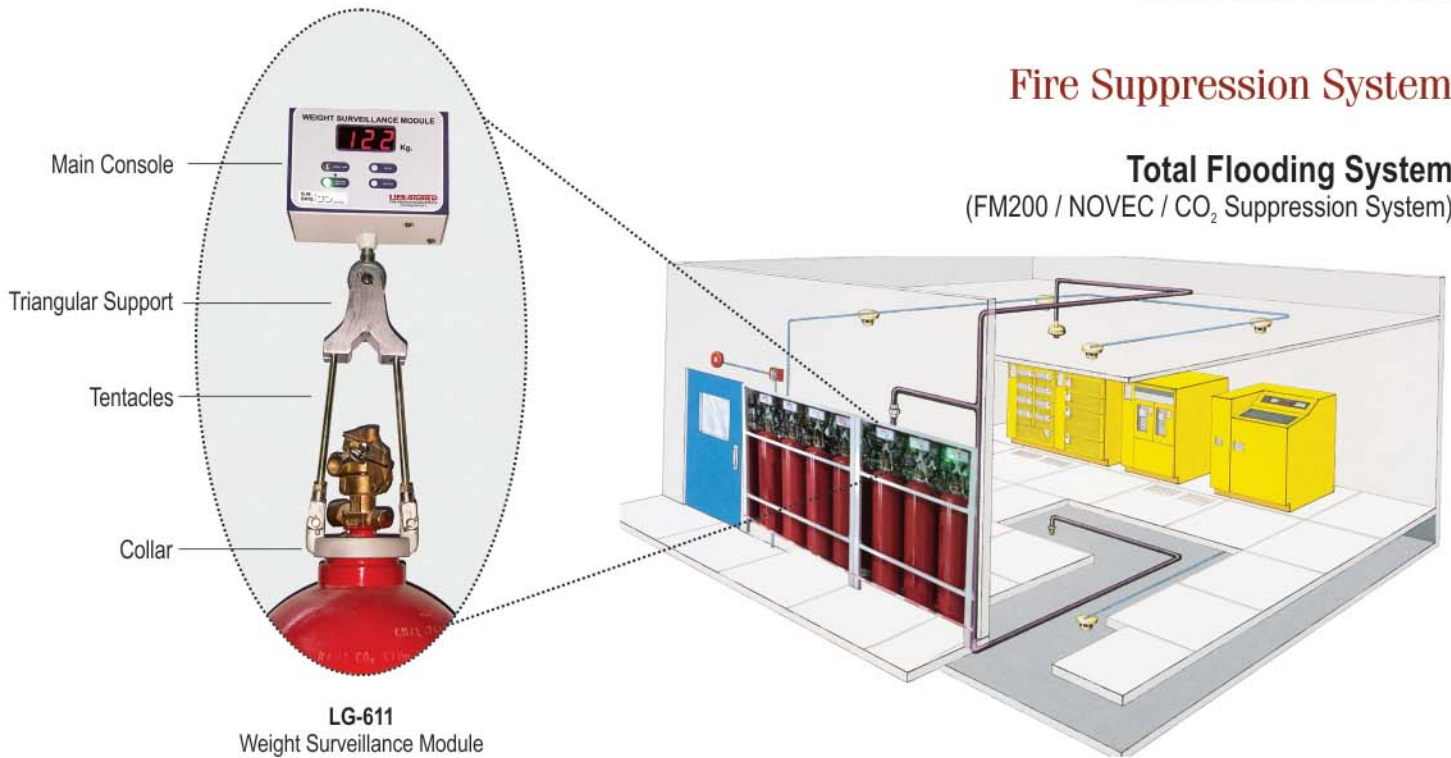
**LG-526 1063**

**Technical Specification**

MODEL	LG-526 0063	LG-526 1100	LG-526 1063
Material	Carbon Steel	Carbon Steel	Carbon Steel
Maximum Operating Pressure	12 Bar (175 PSI)	12 Bar (175 PSI)	12 Bar (175 PSI)
Flow Rate	1750 LPM @ 7 Bar	3750 LPM @ 7 Bar	1750 LPM @ 7 Bar
Throw Range	52 Meters, Projection Angle : 30°	67 Meters, Projection Angle : 30°	45 Meters, Projection Angle : 30°
Inlet Flange	100 NB (4") Raised Flange ANSI B 16.5 150 #	100 NB (4") Raised Flange ANSI B 16.5 150 #	100 NB (4") Raised Flange ANSI B 16.5 150 #
Monitor Outlet	2.5" Water way / Male BSP Thread Nozzle : Jet / Jet - Spray	3" Water way / Male BSP Thread Nozzle : Jet / Jet - Spray	2½" Water way with Jet Spray / Aqua Foam Nozzle with Pickup Tube
Monitor Movement	Vertical Movement - Manual Swivel Operation With Lock Horizontal Movement - Manual Swivel Operation With Lock	Vertical Movement - Manual Swivel Operation With Lock Horizontal Movement - Manual Swivel Operation With Lock	Vertical Movement - Geared Swivel Joint With Self Locking Horizontal Movement - Geared Swivel Joint With Self Locking
Hydrostatic Test Pressure	25 Bar	25 Bar	25 Bar
Monitor Rotation	360° continuous	360° continuous	360° continuous
Monitor Elevation	(+)90° above horizontal (-)45° below horizontal	(+)90° above horizontal (-)45° below horizontal	(+)90° above horizontal (-)45° below horizontal
Finish	Red Polyurethane	Red Polyurethane	Red Polyurethane
Ordering Information	Please Specify Monitor Model, Flange Connection, Nozzle Model & Flow rate	Please Specify Monitor Model, Flange Connection, Nozzle Model & Flow rate	Please Specify Monitor Model, Flange Connection, Nozzle Model & Flow rate

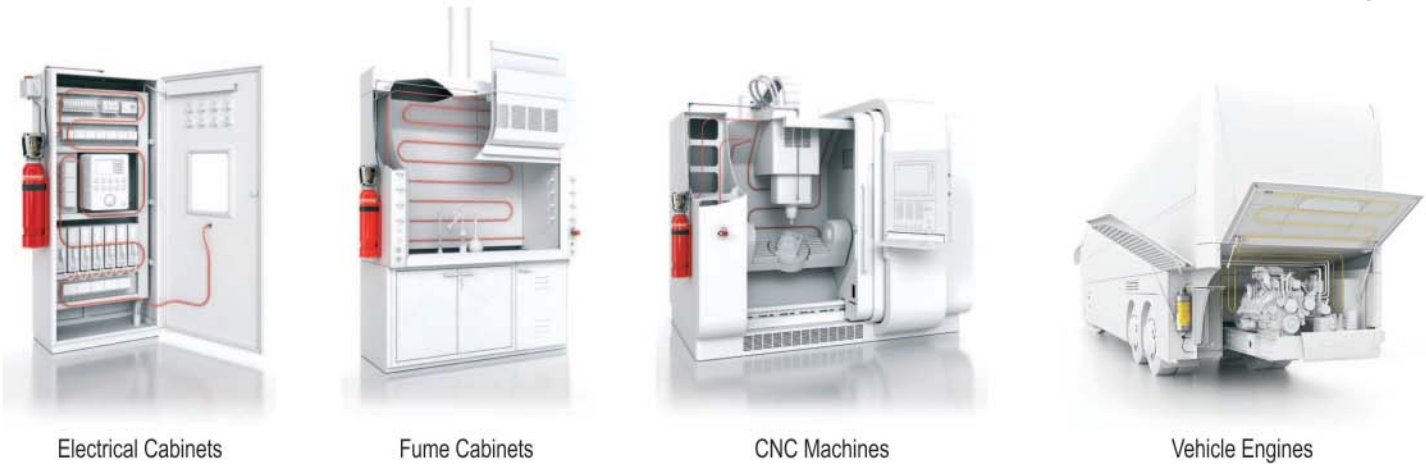
## Fire Suppression System

### Total Flooding System (FM200 / NOVEC / CO<sub>2</sub> Suppression System)



**LG-611**  
Weight Surveillance Module

### Tube Based Suppression System



Electrical Cabinets

Fume Cabinets

CNC Machines

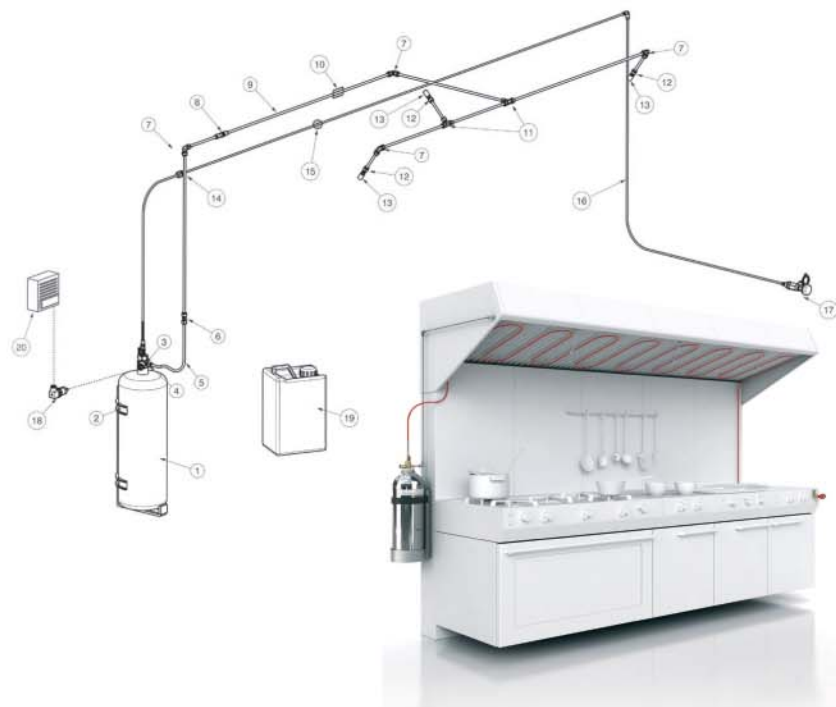
Vehicle Engines

### Kitchen Hood Fire Extinguishing System

S. No.	Qty	Description
1	1	ILP cylinder / valve assembly 9 Liter (not filled)
2	1	Cylinder bracket
3	1	Gasket
4	1	Tube fitting (nickel plated)
5	1	Steel hose
6	1	Tube fitting - straight union
7	4	Tube fitting - Elbow
8	1	Cross panel-fitting
9	6	Stainless steel tubing (1m)
10	4	Pipe bracket (Ø8mm)
11	2	Tube fitting - Tee
12	3	Tube fitting - straight G 1/4"
13	3	Nozzle
14	1	Cross panel-fitting
15	20	Screw clips for tube attachment
16	1	LIFEGUARD Tube red (10m)
17	1	Manual release device
18	1	Pressure switch
19	1	LIFEGUARD suppression agent

**Optional**

20	1	Alarm Box
----	---	-----------



## Fire Detection System



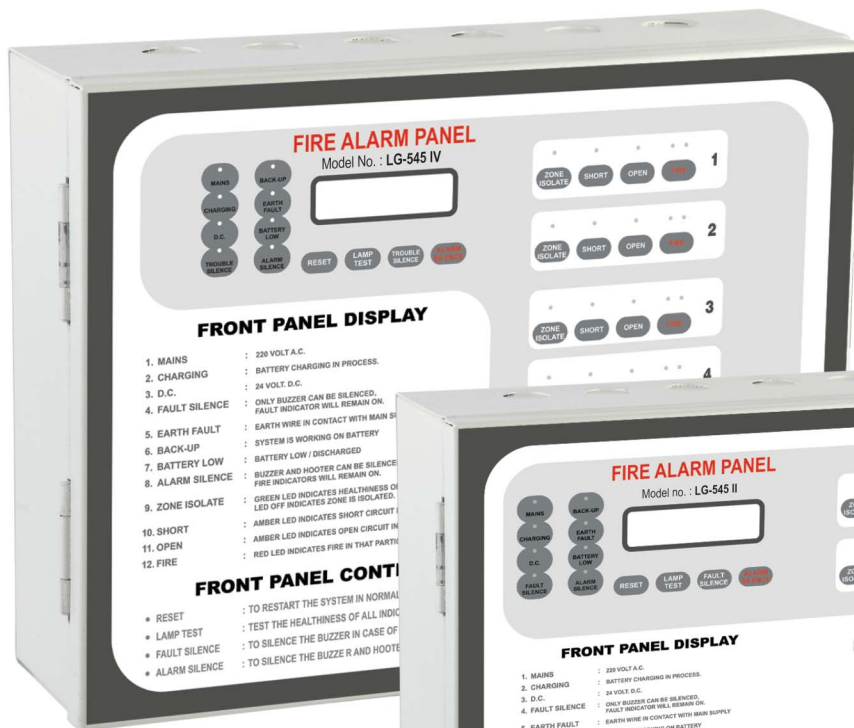
**LG-521SD**  
Smoke Detector



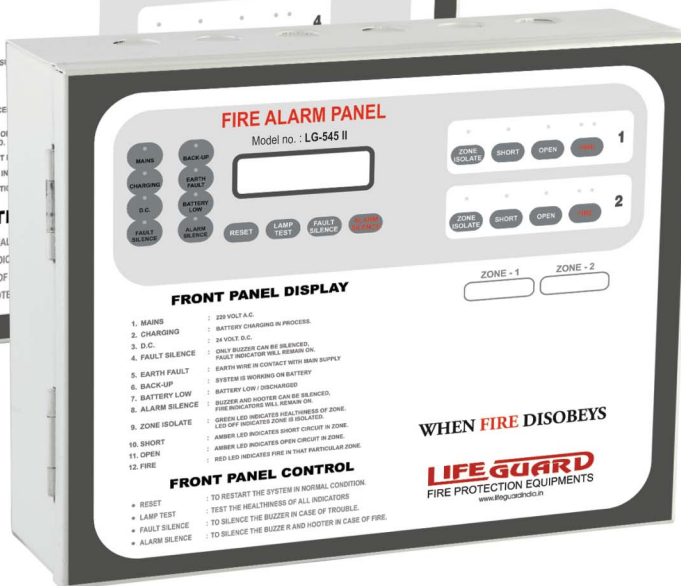
**LG-521MD**  
Multi Detector



**LG-521HD**  
Heat Detector



**LG-545 IV**  
Fire Control Panel



**LG-545 II**  
Fire Control Panel



**LG-520A**  
MCB



**LG-520B**  
Hooter



**LG-520C**  
Response Indicator

### STANDARD FEATURES

- Complies to IS 2189:1999 and Tested by ERTL (N).
- 2 x 16 character backlit LCD display.
- 2 Wire Communication facility via RS 485 Port. (For Repeater Panel) (optional)
- Lamp test features.
- Complete with integral power supply and battery charger for SMF battery.
- NO/NC contacts for both fire and fault.
- Switches to enable on board operation.
- LCD and LED Indication for open, short circuit, Isolate, Fire in each zone.
- Maximum nos. of Detectors in each zone is 25

Control Panel also available in 6 Zone, 8 Zone, 12 Zone, 24 Zone, 36 Zone and can be customized.



## Emergency Light

IN CASE OF EMERGENCY, THE LED ENLIGHTENS THE PATHWAY TO BE FOLLOWED



LG-641

### Features :

- Energy efficient & high intensity LEDs
- Prolonged service life
- Trickle charging
- Minimum maintenance
- Optimum utility
- Smooth operation
- Off white powder coated finishing

### Technical Specification

M.O.C.	Mild Steel
DIMENSIONS (in mm)	330 x 200 x 125
GROSS WEIGHT	5.00 Kg approx.
INPUT VOLTAGE	220 Volt
CHARGING TIME	10 hours approx.
OPERATING TIME (on Battery)	3.5 hours approx.
BATTERY	7 Amph

### Application :-

- Disaster management
- Construction Sites
- No power zone area
- Hospitals / Nursing Homes
- Hotels
- Residential Areas
- Camps
- Theaters
- Corporate Offices
- Airports
- Railway Stations
- Shopping Malls



Side View

## Egress Edgelit Light



### Features :

- Red LED indication on charging
- Constant Voltage Charging
- Fully Electronic, no moving part
- Reduced maintenance & installation cost
- Easy Read out
- As per IS 9583:1981

LG-642



### Technical Specification

MODEL	LG 642
INPUT POWER	12V D.C.
CHARGING CURRENT	60mA
M.O.C.	Aluminium / Acrylic
COLOR	WHITE / GREY
DIMENSION	300mm x 125mm / As per requirement
BATTERY	12 Volts

## Photoluminescent Signages

LG-528-01			LG-528-11
LG-528-02			LG-528-12
LG-528-03			LG-528-13
LG-528-04			LG-528-14
LG-528-05			LG-528-15
LG-528-06			LG-528-16
LG-528-07			LG-528-17
LG-528-08			LG-528-18
LG-528-09			LG-528-19
LG-528-10			LG-528-20

Customization can be done as per requirement



LG-528 Glow Signages

## UL Listed Dry Chemical Mono Ammonium Phosphate

UL Listed Powder for **LIFEGUARD** premium range of Portable Fire Extinguishers, Wheeled Fire Extinguishers & Trailer mounted Fire Extinguishers. Used for even better performance of the product.

The basic standards used are ANSI/UL 299, "Dry Chemical Fire Extinguishers and ANSI/UL 711, "Rating and Testing of Fire Extinguishers."

**NOTE:** Refer LG-code ending with "P" for the LIFEGUARD premium range.



LG-720



(Automatic Modular Type Fire Extinguisher)

## Self Triggered Stand Alone Type Fire Extinguisher

### Technical Specification

CAPACITY in kg.	2kg Capacity	5kg Capacity	10kg Capacity	15kg Capacity
MODEL	LG-1602/LG-1702	LG-1605/LG-1705	LG-1610/LG-1710	LG-1615/LG-1715
Media	ABC Powder/Clean Agent	ABC Powder/Clean Agent	ABC Powder/Clean Agent	ABC Powder/Clean Agent
Area Coverage	2-3m <sup>2</sup> Approx.	3-4m <sup>2</sup> Approx.	5-7m <sup>2</sup> Approx.	8-10m <sup>2</sup> Approx.
Test Pressure	30 kgf/cm <sup>2</sup>	30 kgf/cm <sup>2</sup>	30 kgf/cm <sup>2</sup>	30 kgf/cm <sup>2</sup>
Anti Corrosive Treatment	Powder Coated	Powder Coated	Powder Coated	Powder Coated
Shell Diameter	175mm ±5%	240mm ±5%	300mm ±5%	405mm ±5%
Overall Height	185mm±25%	265mm±25%	350mm±25%	255mm±25%
Charged Weight	3.5 kg approx.	7.5 kg approx.	13.5 kg approx.	20.5 kg approx.
Bulb Temperature	56-107 degrees	56-107 degrees	56-107 degrees	56-107 degrees
Charged Pressure	15 kgf/cm <sup>2</sup>	15 kgf/cm <sup>2</sup>	15 kgf/cm <sup>2</sup>	15 kgf/cm <sup>2</sup>
Operational time in seconds	5-7	8-10	10-15	18-24
Mounting	Ceiling Mounting Type	Ceiling Mounting Type	Ceiling Mounting Type	Ceiling Mounting Type



Accessories



A



B

LG-501  
Hose Box



A



B

LG-534  
Fire Extinguisher Stand



LG-535  
Fire Blanket



LG-538  
Fire Man Axe



4 Way  
LG-423A



2 Way  
LG-423B  
Collecting Heads



LG-502  
G.M. Draw out Connection



A



B

LG-516  
Jumbo Water Curtain Nozzle



LG-522  
Hand Control Fast Action Nozzle



LG-530  
Fire Hook



LG-531  
Fire Beater



LG-533  
Rope Ladder

CHEMICAL BAGS



IS:4989  
AFFF Refills  
LG-551



IS:4308  
Dry Powder (BC)  
LG-552



IS:14609  
Dry Powder (ABC)  
LG-553

Accessories



**LG-540**  
Flexible Hose Pipe for Sprinklers



**LG-537**  
High/Medium Velocity Nozzle



**LG-503**  
Sprinklers



**LG-541**  
Water Curtain Nozzle



**A**      **B**  
**LG-506**  
Dividing Branching



**LG-507**  
Suction Strainer



**LG-508**  
Foot Valve Strainer



**LG-509**  
Suction Coupling



**LG-510**  
Revolving Branch



**LG-511**  
Fog Nozzle



**LG-512**  
Triple Purpose Nozzle



**LG-513**  
Double Male



**LG-514**  
Double Female

Accessories



**LG-515**  
Gun Metal Adaptor



**LG-517**  
Air Release Valve



**LG-549**  
Fire Rescue Kit



**LG-518**  
Electric Siren



**LG-519**  
Manual Siren (Hand Operated)



**LG-543**  
Gum Boots



**LG-523**  
Metal Detector



**LG-542**  
Reflective Jacket



**LG-524**  
Fire man Helmet



**LG-544**  
Hose Binding Machine



**LG-525**  
Fire Bucket



**LG-525 A**  
Fire Bucket Stand

# LIFEGUARD

FIRE PROTECTION EQUIPMENTS

## Clintele

 बी एच ई एल <b>BHEL</b>	 <b>Bharat Petroleum</b>	 <b>Cairn</b>	 <b>EIL</b>	 गैल <b>GAIL</b>	 एन एच पी सी <b>NHPC</b>
 IGL <b>INDRAPRASTHA GAS LIMITED</b>	 इंडियनऑयल <b>IndianOil</b>	 IPGCL <b>Indraprastha Power Generation Co. Ltd.</b>	 KARNATAKA POWER CORPORATION LTD <b>KPCL</b>	 महाराष्ट्र पावर ट्रांसमिशन कॉर्पोरेशन लिमिटेड <b>MPPTCL</b>	 पावरग्रिड
 एन टी पी सी <b>NTPC</b>	 ओ एन जी सी <b>ONGC</b> ऑयल एंड गैस कर्पोरेशन लिमिटेड	 पारदीप पोर्ट ट्रस्ट	 पंजाब पावर कॉर्पोरेशन लिमिटेड <b>PPCL</b>	 <b>HPGCL</b> Rajiv Gandhi Thermal Power Plant	 सेल <b>SAIL</b>
 <b>DAMODAR VALLEY CORPORATION</b> दामोदर घाटी निगम	 VIZAG STEEL <b>Pride of Steel</b> A Navratna Company	 नालको <b>NALCO</b>	 <b>CIDCO</b> WE MAKE CITIES	 महाडा <b>MHADA</b>	 बी एंड आर <b>BAND R</b>
 <b>DLF</b>	 <b>Godrej</b>	 TAJ Hotels Resorts and Palaces	 <b>WESTIN</b> HOTELS & RESORTS	 Sheraton New Delhi HOTEL	 <b>PVR</b> CINEMAS
 <b>SAMSUNG</b>	 <b>OMAXE</b> Turning dreams into reality	 <b>SRS</b> Enduring quality and trust	 <b>L&amp;T</b>	 <b>LEIGHTON</b>	 <b>PWD</b>
 CPWD	 <b>DSIIDC</b>	 NDME नई दिल्ली नगरपालिका परिषद	 भारतीय रेल <b>INDIAN RAILWAYS</b>	 इण्डिया ट्रेड प्रमोशन ऑर्गनाइजेशन India Trade Promotion Organisation	 PUNSUP
 <b>U.P.S.R.T.C</b>	 <b>Delhi Metro Rail Corporation</b>	 AIMS	 CENTRAL RESERVE POLICE FORCE	 <b>BSNL</b>	 Airport Authority of India
 DRDE, GWALIOR	 INDIAN DEVELOPMENT AUTHORITY	 <b>MOTHER DAIRY</b>	 <b>HONDA</b>	 <b>Mahindra</b>	 <b>Mahindra Lifespaces</b>
 LIC भारतीय जीवन बीमा निगम LIFE INSURANCE CORPORATION OF INDIA	 State Bank of India	 punjab national bank	 ICICI PRUDENTIAL	 बैंक ऑफ इंडिया Bank of India Relationships beyond banking.	 <b>IndusInd Bank</b>

# LIFEGUARD

FIRE PROTECTION EQUIPMENTS



## UNITED FIRE EQUIPMENTS PVT. LTD.

AN ISO 9001:2008 CERTIFIED COMPANY

New Delhi - 110 034

[www.lifeguardindia.in](http://www.lifeguardindia.in)



We reserve the right to alter specifications without prior notice.  
Please refer the latest IS Codes for detailed information.

For Genuine **LIFEGUARD** Brand ISI Mark Fire Fighting Equipments Check Twice "3D" Hologram Sticker & Engraved

